



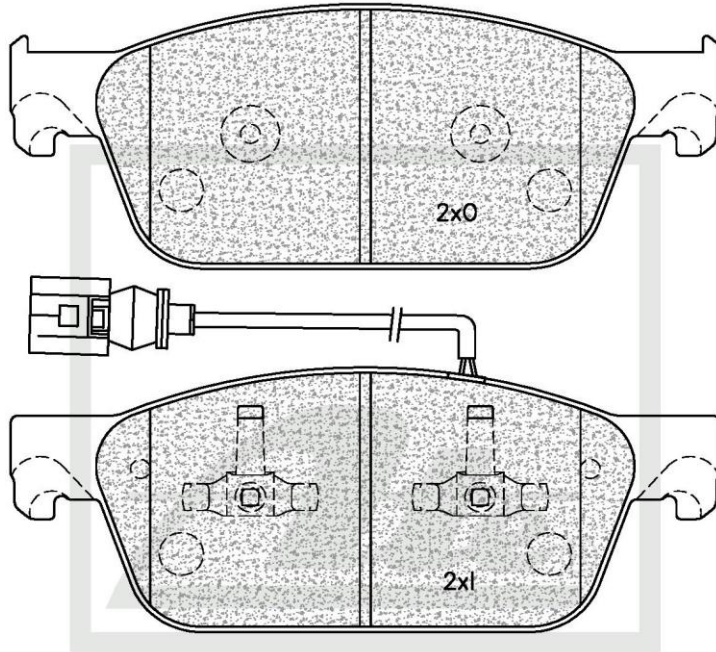
TECHNICAL BULLETIN  
09 July 2019

# ATE1327

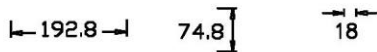
(ATE and Teves are registered trademarks of Continental Teves AG & Co oHG and/or its affiliates in Frankfurt Germany and other Countries)

## NEW PART NUMBER UPDATE

### Drawing



SUPPLIED WITH 1 X SENSOR INDICATOR PADS PER SET



### Details of New Part

Brake Pad - FRONT

#### Brake Pad Sizes:

Length - 192.8mm

Height - 74.8mm

Thickness - 18.0mm

#### Box Dimensions

Weight - 3000g

L - 215mm

H - 85mm

W - 140mm

#### Barcode



**ATE1327**

### Vehicle Applications

VW KOMBI T5,T6 2015-;  
VW TRANSPORTER T5, T6 2015-

Fr. Position Rr.



CALL NOW TO ORDER YOUR STOCK !!!

(011) 898 1800

Picture(s) of vehicle(s) that this part is suitable for:



"Single Minded about YOUR Safety"